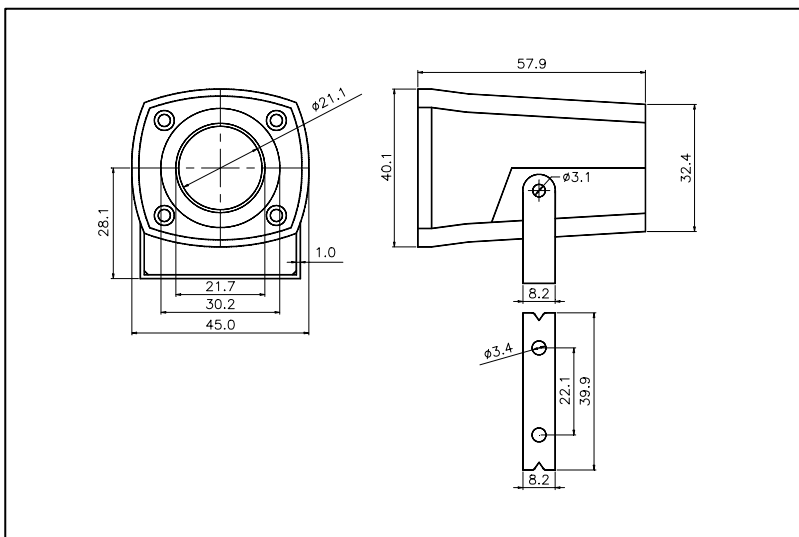


Specification

SQ-4558B	Micro Piezo Siren
Resonance Frequency	3.0±0.3Khz
Sound Pressure Level Rated at DC 12 volts @100cm 0dB re 0.0002μbar	105dB min.
Operation Voltage	DC 7-15 volts
Current Drain Rated at DC 12 volts	200 mA
Tone Type*	Sweep from 2-4Khz in 2Hz rate
Case Material	ABS Resin
Mounting Type	Metal Bracket
Color*	Black
Operation Temperature	-20 to 60°C
Storage Temperature	-30 to 70°C

All specification taken typical at 25°C
 Operation voltage of DC 24/26/48 volts are available upon request.
 *Other tone type and color can be arranged upon request.

Dimensions: dimensions are in mm



Application:

- Burglar alarms**
- Warning devices**
- Signaling alarms**
- Smoke detectors**
- Swimming pool alarms**
- Distress signals, etc.**

Features:

- High efficiency**
- Micro and compact construction**
- Waterproof and dust-proof**
- Light weight**
- Low cost**