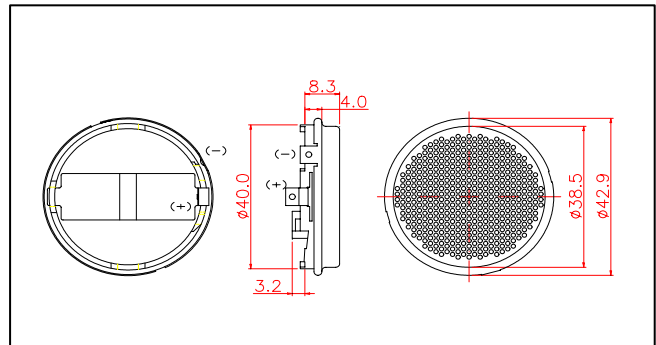
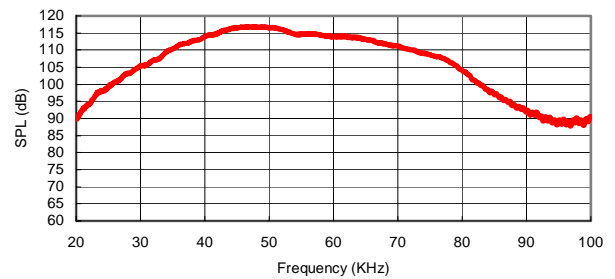


Dimensions: dimensions are in mm

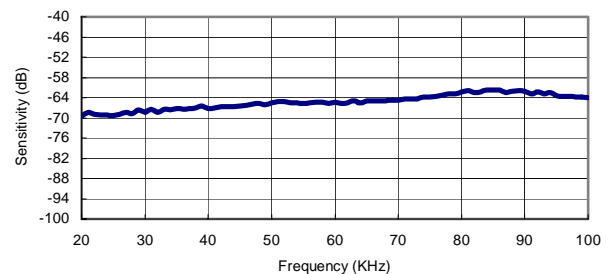


Transmitting Sound Pressure Level

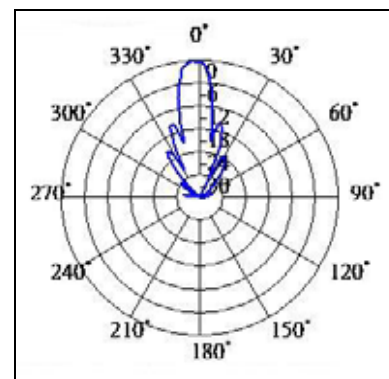
Tested under 300Vac pk-pk, 150Vdc bias @ 100 cm



Receiving Sensitivity: Tested under 200Vdc bias



Beam Angle: Tested at 50.0Khz frequency



Specification

| | |
|---|--------------------|
| 500ES430 | Transceiver |
| Center Frequency | 50.0 ± 1.0Khz |
| Transmitting Sound Pressure Level | 119 dB min. |
| at 50.0Khz; 0dB re 20µPa per 300Vac pk-pk, 200Vdc bias at 50 cm | |
| Receiving Sensitivity | -42 dB min. |
| at 50.0Khz, 200Vdc bias, 0dB = 1 volt/Pa (1 volt/µbar) (-62dB) min. | |
| Capacitance at 1Khz | ± 20% 400 - 500 ρF |
| Suggested DC Bias Voltage | 200 V |
| Suggested AC Driving Voltage | 300V pk-pk |
| Maximum Combined Voltage | 400V |
| Total Beam Angle | -3dB 12° typical |
| Operation Temperature | -30 to 70°C |
| Standard Finish | |
| Foil (Diaphragm) | See below |
| Housing | See below |

All specification taken typical at 25°C

Models available:

| Model | Foil | Housing |
|-----------|----------|---------------------|
| 500ES43AB | Aluminum | Black Painted Steel |
| 500ES43AS | Aluminum | SUS 304 |
| 500ES43GB | Gold | Black Painted Steel |
| 500ES43GS | Gold | SUS 304 |