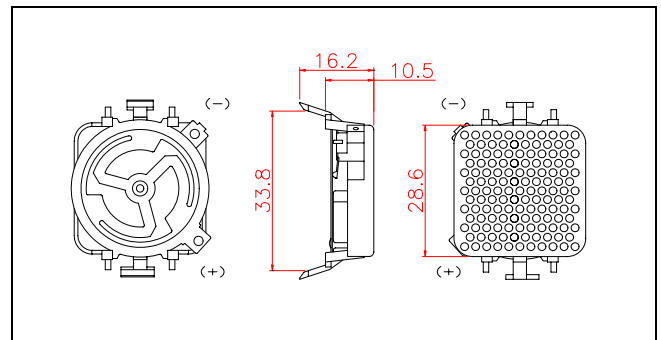




Dimensions: dimensions are in mm



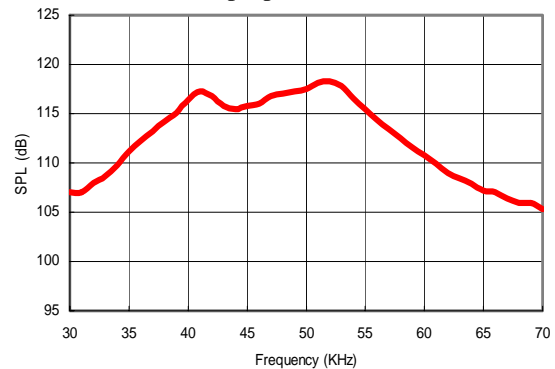
Specification

500ES290	Transceiver
Center Frequency	50.0 ± 1.0Khz
Transmitting Sound Pressure Level at 50.0Khz; 0dB re 20µPa per 300Vac pk-pk, 200Vdc bias at 50 cm	116.0 dB min.
Receiving Sensitivity at 50.0Khz, 200Vdc bias, 0dB = 1 volt/µbar (1 volt/Pa)	-63.0 dB (-43.0 dB)
Capacitance at 1Khz	600 - 700 ρF
Suggested DC Bias Voltage	200 V
Suggested AC Driving Voltage	300V pk-pk
Maximum Combined Voltage	400V
Total Beam Angle -3dB	17° typical
Operation Temperature	0 to 60°C
Standard Finish	
Foil (Diaphragm):	
1. 500ES290-G	Gold
2. 500ES290-A	Aluminum
Housing	ABS

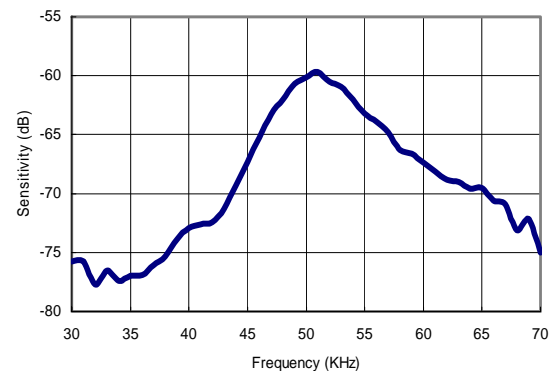
All specification taken typical at 25°C

Transmitting Sound Pressure Level

Tested under 300Vac pk-pk, 200Vdc bias @50 cm



Receiving Sensitivity: Tested under 200Vdc bias



Beam Angle: Tested at 50.0Khz frequency

