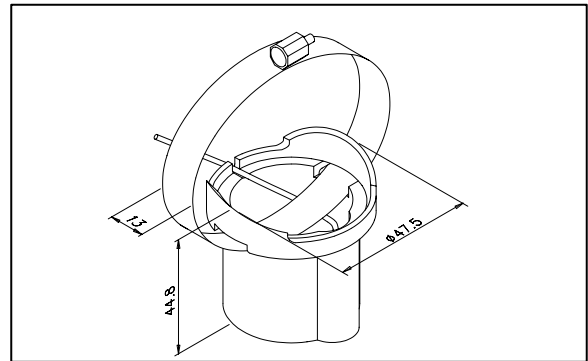




**Dimensions:** dimensions are in mm



**Specification**

|  |                    |
|--|--------------------|
| <b>200LM450</b>                          | Transceiver        |
| <b>Center Frequency</b>                  | 200±10.0Khz        |
| <b>Bandwidth (FOM -6dB)</b>              | 25Khz              |
| <b>Transmitting Sound Pressure Level</b> | 160dB min.         |
| 0dB re 1µPa per 1Vrms at 100cm           |                    |
| <b>Receiving Sensitivity</b>             | -180dB min.        |
| 0dB = 1 volt/µPa                         |                    |
| <b>Submerged Impedance (Ohm)</b>         | 200                |
| <b>Capacitance at 1Khz</b>               | ±20% 2000 pF       |
| <b>Input Power (Pulse Drive)</b>         | 50 Watts           |
| <b>Total Beam Angle</b>                  | -6dB 20°           |
| <b>Cable Length</b>                      | 4.5 m              |
| <b>Molded Connector</b>                  | RCA Phono plug 90° |
| <b>Housing Material</b>                  | Plastic resin      |

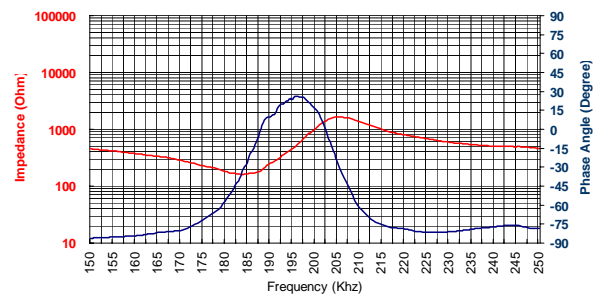
Closer frequency tolerance, shorter ringing and wider bandwidth models can be supplied upon request.

Model available:

|   |          |                 |
|---|----------|-----------------|
| 1 | 200LM450 | Plastic Housing |
|---|----------|-----------------|

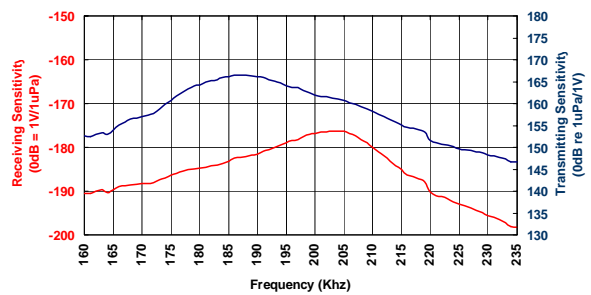
**Submerged Impedance/Phase Angle vs. Frequency**

Tested under 1Vrms Oscillation Level



**Receiving /Transmitting Sensitivity**

Tested at distance of 100cm



**Figure of Merit**

(Receiving Sensitivity + Transmitting Sensitivity)

